

# Water Pressure Systems



## W A T E R P R E S S U R E S Y S T E M

### Break the sound barrier

The Mach 5 water pressure system from Headhunter represents a quantum leap in pump technology with many advanced features and improvements over conventional water pressure pumps. Integrated flow and pressure sensors provide instant dry run protection.



The Mach 5 incorporates a state-of-the-art multistage impeller system driven by a super-efficient water-cooled motor to generate up to 20 gallons per minute, instantaneously, on demand, and in virtual silence. An easy to read control panel on top of the pump provides visual indication of alarm status, as well as reset capability.

driven by a super-efficient water-cooled motor to generate up to 20 gallons per minute, instantaneously, on demand, and in virtual silence. An easy to read control panel on top of the pump provides visual indication of alarm status, as well as reset capability.



### SPECIFICATIONS

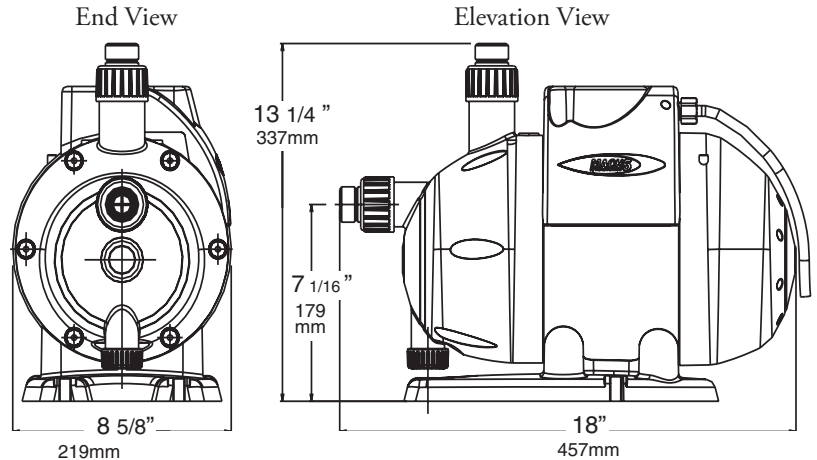
Liquid Temp.	32°F To 104°F
Ambient Temp.	32°F To 122°F
Max Pressure	67 PSI (4.5bar)
Max Flow	20 GPM (76 lpm)
Suction/Discharge	1" MPT (1"GAS)
Noise Level	<54 dB(A)
Weight	23lbs (10.4kg)

### LISTING/CERTIFICATIONS

The Mach 5 has been tested and certified to surpass all requirements of Underwriters Laboratories UL 778 specifications for Motor Operated Pumps. The Mach 5 is CE approved.



Listing #01C01



*Note: Not recommended for salt water*

### Feel the Force

Taking a great shower is one of life's simple pleasures. The performance and stamina of a Mach 5 Water Pressure System turns ordinary showers into a truly invigorating experience.



Model	Voltage	Amps	Discharge Press. PSI (bar)			Max Shut Off PSI (bar)
			30 (2)	40 (2.7)	50 (3.4)	
Flow in GPM (lpm)						
M5-115	115V/60hz	9	16 (60)	12 (46)	8 (31)	67 (4.5)
M5-230/60	230V/60hz	4	16 (60)	12 (46)	8 (31)	67 (4.5)
M5-230/50	230V/50hz	4	16 (60)	12 (46)	8 (31)	67 (4.5)